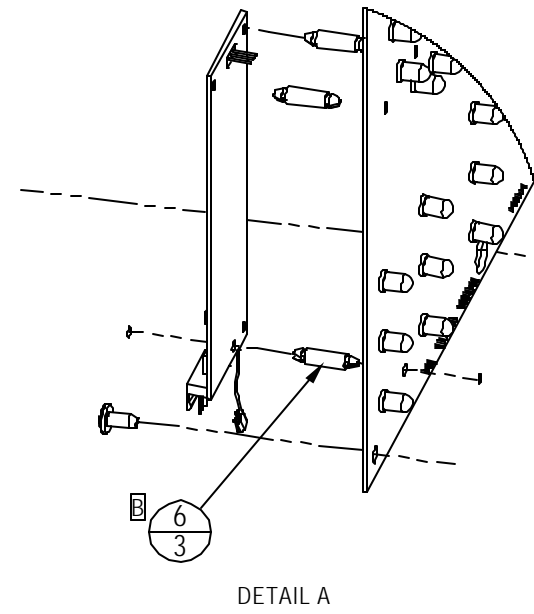
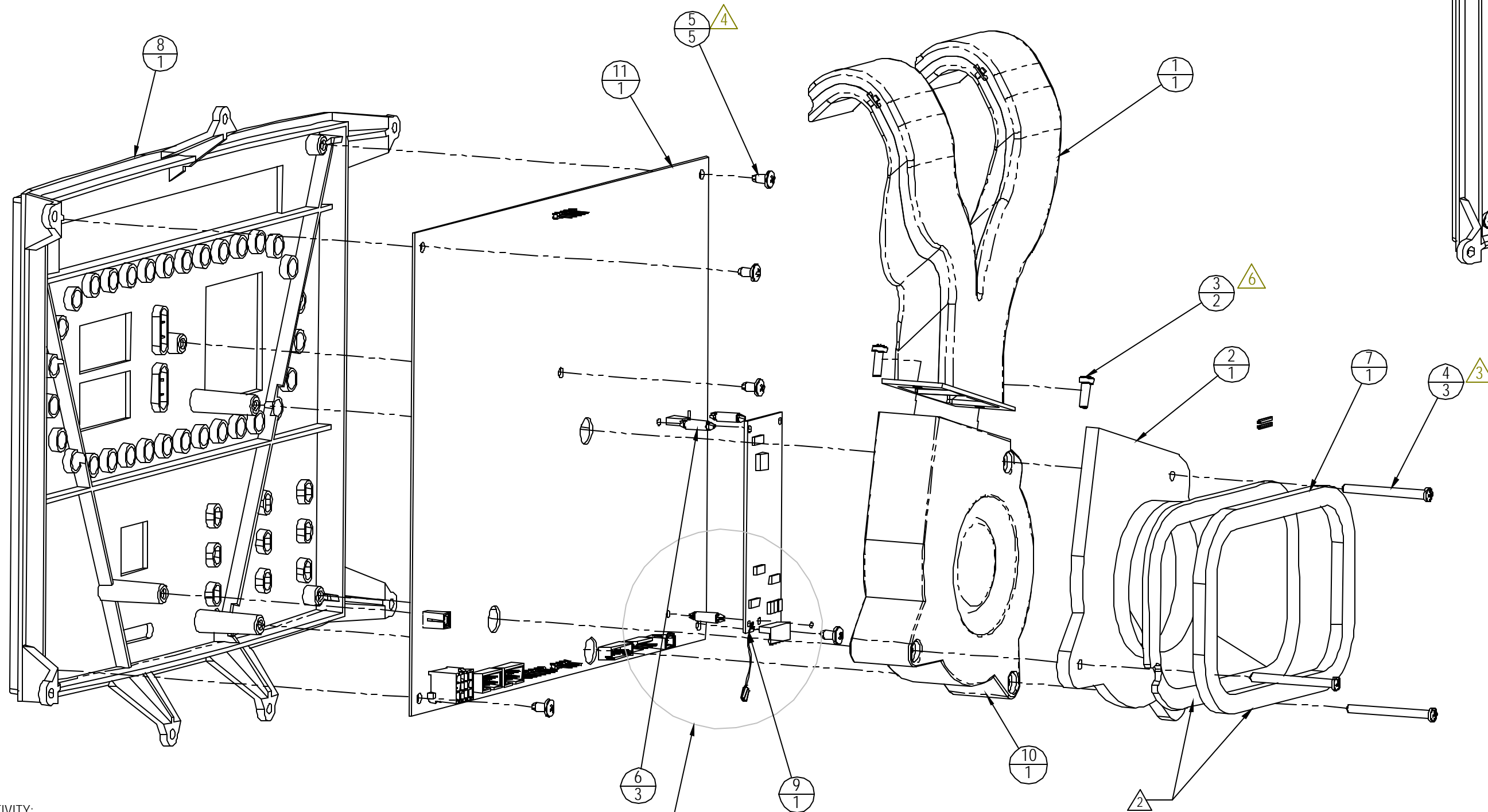
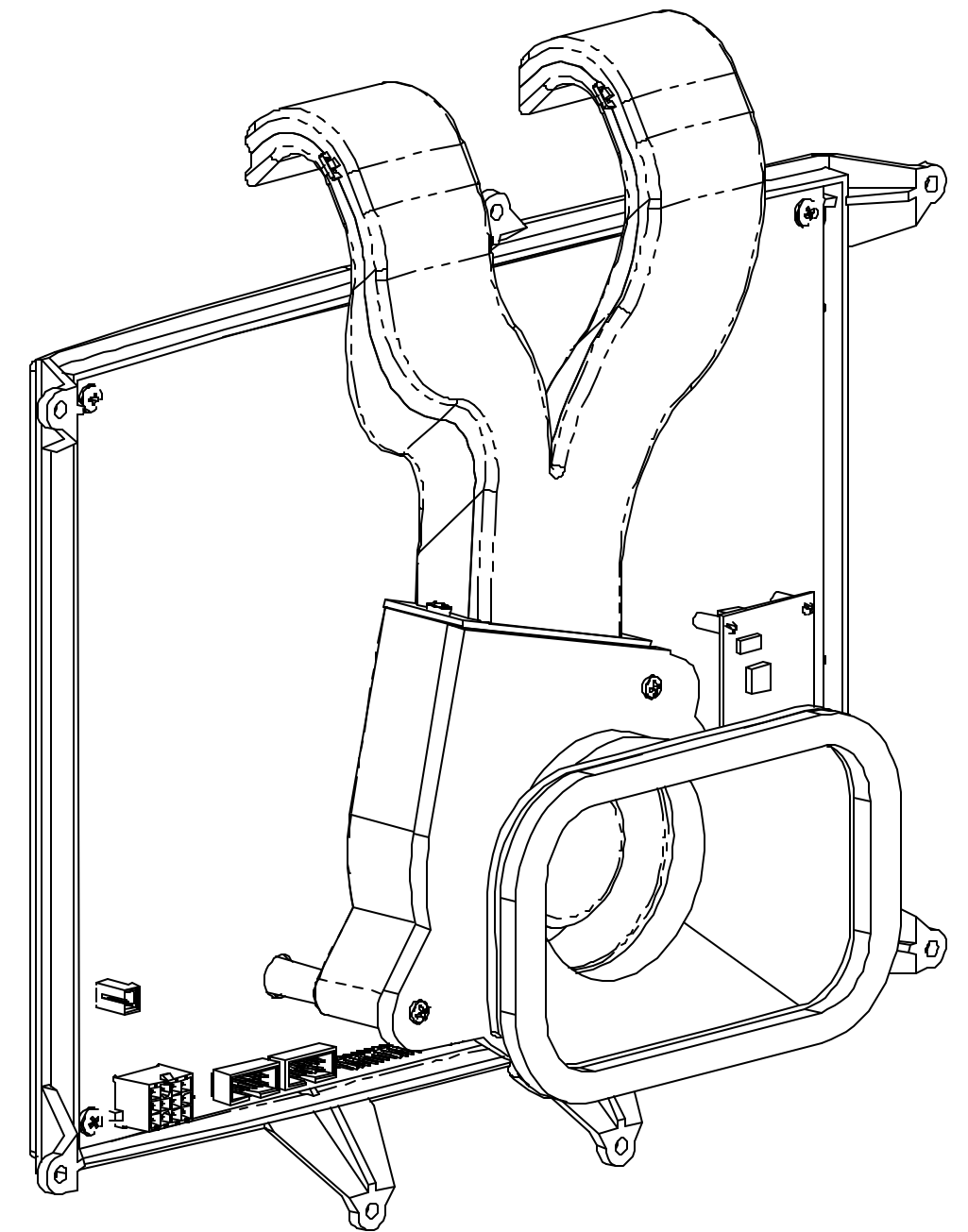


CONNECTOR DESIGNATIONS ON PCB
P/N **110-3099**



REVISIONS				
REV.	DATE	DESCRIPTION	ECO	BY
A	1/10/2007	RELEASE FOR PRODUCTION, SAME AS X02	11554	RLH
B	05-30-07	REMOVED 110-3405 (2), REPLACE 110-3406 WITH 120-3250	11632	DMM



ITEM NO.	PART NUMBER	DESCRIPTION	QTY.
1	020-7063	DUCT,VENT,BCS,LED,VLAD	1
2	020-7067	INTAKE,BLOWER,BCS,LED	1
3	110-3168	SCREW, M4x12, PHM,PH, CS,ZI	2
4	110-3403	SCREW, M4x0.7x45L,PHT,PH,CS,BO	3
5	110-3404	SCREW, M4x0.7x8L,PHT,PH,CS,BO	5
6	120-3250	STANDOFF, 1/8" DIA X 7/16" NYLON	3
7	140-3396	GASKET, BCS BLOWER DUCT, FOAM	1
8	711-3194	ASSY, KEY PAD PLASTIC,PRO ST	1
9	715-3670	PCBA, SALUTRON 6000, VLAD	1
10	718-1122	ASSY,BLOWER,12VDC	1
11	715-3099	ASSY, DISPLAY BOARD POPULATED, VLAD BCS	1

- NOTES:
- CONNECTIVITY:
a) 260-0932 WIRE TO J3 ON **015-5099**
b) **050-2033** RIBBON TO J7 ON **015-5099**
P/N 140-3396 TO ATTACH TO P/N **020-7067** VIA ADHESIVE STRIP LOCATED ON FACE OF P/N 140-3396.
APPLY 13-17 lb-in / 1.5-1.5 N-m TORQUE TO SCREWS (**110-3403**).
 - APPLY 8-12 lb-in / 0.9-1.4 N-m TORQUE TO SCREWS (110-3404).
 - APPLY 10-12 lb-in / 1.1-1.4 N-m TORQUE TO SCREWS (110-3405).
 - APPLY 13-17 lb-in / 1.5-1.5 N-m TORQUE TO SCREWS (**110-3168**).

SEE DETAIL A FOR VIEW OF BACKSIDE

**DOCUMENT STATUS:
RELEASE**

NOTICE OF PROPRIETARY INFORMATION
THIS DOCUMENT SHALL NOT BE REPRODUCED NOR SHALL THE INFORMATION CONTAINED HEREIN BE USED BY OR DISCLOSED TO OTHER EXCEPT AS EXPRESSLY AUTHORIZED BY UNISEN

MATERIAL
SEE BOM

FINISH
N/A

VENDOR: **N/A**

P/N: **N/A**

TOLERANCES UNLESS OTHERWISE SPECIFIED
X.XXX ± 0.10' (0.25MM)
X.XX ± 0.030' (0.76MM)
X.X ± 0.050' (1.27MM)
X ± 0.125' (3.20MM)

DRAWN: JRT
CHECKED:
APPROVED:
U.O.M.

UNISEN, INC. DBA
STAR TRAC
14410 Myford Road
Irvine CA 92606

PART NO: **711-3195**
REV: **B**
TITLE: **ASSY,DISPLAY LED,E-ST**
SCALE: 1:2 | SHEET 1 OF 1 | SHEET SIZE: C